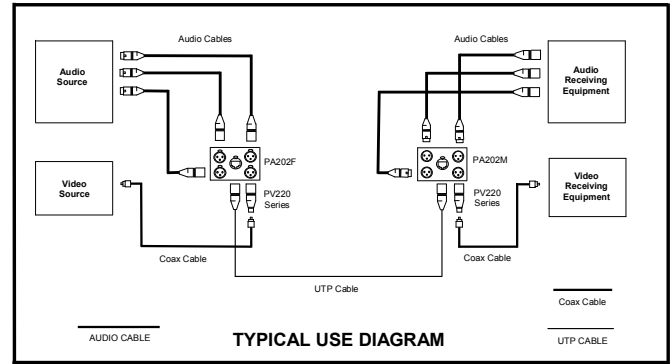



InstaSnake PV220™ Series

Video Products - Balun



Features/Advantages	Description	Applications
<ul style="list-style-type: none"> Superior signal transmission Wide bandwidth with great stability All connectors are high quality Neutrik brand Low cost Easily transported Rugged, metal enclosure RoHS compliant USA Made 100% tested 	<p>The ETS InstaSnake Video Balun™ is ideal for use with existing InstaSnake Adapter™ boxes. InstaSnake Baluns allow consumer and commercial users of video equipment to connect to an InstaSnake Adapter box. By plugging InstaSnake Baluns into InstaSnake Adapter boxes, the user can send unbalanced composite video signals.</p> <p>Two InstaSnake Adapter boxes and two InstaSnake Baluns are needed to transmit video signals. One channel is used for each balun on each InstaSnake box. The same channel must be used on each InstaSnake Adapter box.</p> <p>InstaSnake Baluns are handy for those who have InstaSnake Adapter boxes. All that is needed is to plug InstaSnake Baluns into InstaSnake Adapter boxes wherever a change of a signal application is needed. Changes are very simple and quick. No power is needed as the units are passive.</p> <p>Many balun configurations are available to meet your connectivity requirements: Male or Female BNCs, RCA jacks to Male or Female XLRs.</p>	<ul style="list-style-type: none"> All baseband applications Corporate facilities Video terminals, displays Meeting halls Field recording Hotels Schools/Classrooms Churches Cruise Ships Auditoriums/Stadiums

Specifications		Product Ordering Information	
Bandwidth	Flat to 60 MHz	PV221F	Composite Video, FBNC to female XLR
Connectors	Unbalanced side: FBNC, MBNC or RCA jack	PV221M	Composite Video, FBNC to male XLR
	Balanced side: FXLR or MXLR	PV222F	Composite Video, MBNC to female XLR
Crosstalk	>50 dB	PV222M	Composite Video, MBNC to male XLR
Dimensions	78mm x 20mm (FXLR); 74mm x 20mm (MXLR)	PV223F	Composite Video, RCA jack to female XLR
Weight	.58 grams (nominal)	PV223M	Composite Video, RCA jack to male XLR

© Copyright 2017 Energy Transformation Systems, Inc.
 FatCat5 System panels and information outlets protected under US Patent Number 6,123,577. FatCat5™, FatCat5 System™, Chameleon Color Coding System™, Balanced Star™, Balanced Line™, Monoline™ and Precision Wave™, InstaSnake™, CineSnake™ are trademarks of Energy Transformation Systems. All other brand or product names are or may be trademarks of, and are used to identify the products or services of their respective owners.



Energy Transformation Systems, Inc.
 43353 B Osgood Rd. Fremont, CA 94539
 800-752-8208 510-656-2012 Fax 510-656-2026