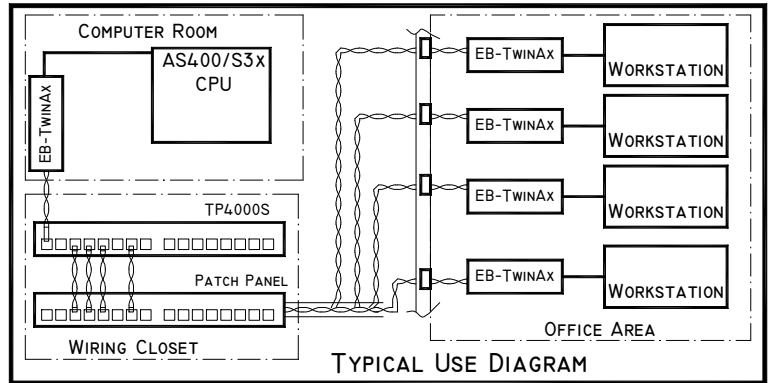


Twinax Series

Twinax Baluns



Features/Advantages	Description	Applications
<ul style="list-style-type: none"> Balanced Line™ for best low-noise performance. Longer reach with reliable operation to 2500 feet. Enables use of UTP wire in IBM® AS400 or S3X Networks. Simplifies conversion to star network topology. USA-made. 100% tested. 	<p>ETS Twinax Baluns feature Balanced Line™ Technology, enabling a network to operate over unshielded twisted pair (UTP) wiring for economical installation and maintenance. In addition to enabling the greatest continuous cable distances (“reach”), the baluns also achieve the best data communications reliability and most trouble-free operation of any balun made for IBM® Systems AS400 or S3X.</p> <p>The ETS Twinax Balun Balanced Line™ requires no external power and is transparent to signal protocol and speed. ETS baluns achieve superior low-noise performance due to their patented noise-blocking magnetics design.</p>	<ul style="list-style-type: none"> Host-to-terminal connections over UTP wiring. Supports: <ul style="list-style-type: none"> IBM Systems AS400/S3X IBM Terminals PC’s with 5250 emu cards IBM Printers Best utilized in a configuration with ETS passive or active hubs

*NOTE: Results depend upon quality of cable and internal monitor circuitry. Category-5e or better cable highly recommended.

Specifications		Product Ordering Information	
Connectors Impedance Insertion Loss DC Isolation Balance Reach	Twinax male to RJ45 or RJ11 plug 100Ω unbalanced symmetric/100Ω balanced 0.08dB (80KHz - 2 MHz) No common ground; Isolation 500V Within 0.1% or better for 1000:1 noise reduction	EB-TWINAX-45-1 EB-TWINAX-45-4 EB-TWINAX-45-5 EB-TWINAX-45-4-P	Twinax to RJ45 jack, pins 1 & 2 Twinax to RJ45 jack, pins 4 & 5 Twinax to RJ45 jack, pins 5 & 4 Twinax to RJ45 jack, pins 4 & 5, 6 in pigtail
Wire Requirements Dimensions Net Weight (kg.)	AS400 to terminal (2500 feet typical) 22 or 24 GA UTP, data grade 22 x 25 x 67l (x200l with pigtail) 0.05 (0.07-P) (0.14 additional – 15C option) 0.20kg and 0.22kg (pigtail)		

© Copyright 1981-2011 Energy Transformation Systems, Inc. FatCat5 System panels and information outlets protected under US Patent Number 6,123,577. FatCat5™, FatCat5 System™, Chameleon Color Coding System™, Balanced Star™, Balanced Line™, Monoline™ and Precision Wave™, InstaSnake™, CineSnake™ are trademarks of Energy Transformation Systems. All other brand or product names are or may be trademarks of, and are used to identify the products or services of their respective owners.

Revised 10/16/11



Energy Transformation Systems, Inc.
43353 B Osgood Rd. Fremont, 94539
www.etslan.com
800-752-8208 510-656-2012 Fax 510-656-2026

