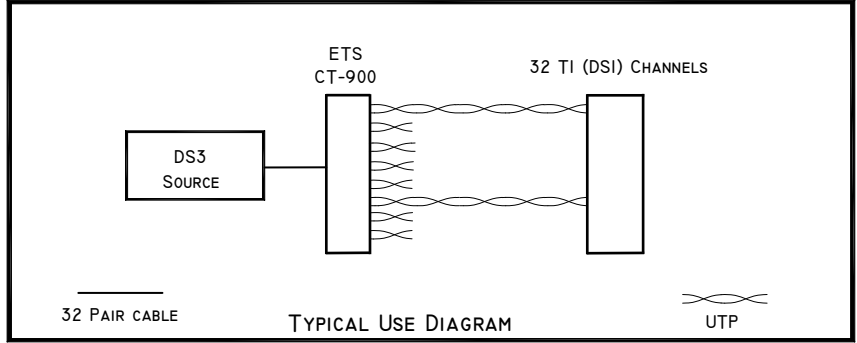


# CT900 Series

# DS3 Breakout Panel



Features/Advantages	Description	Applications
<ul style="list-style-type: none"> <li>Decreases costs associated with moves, add-ons, and changes</li> <li>Rugged, robust construction</li> <li>Requires no power source</li> <li>Made in USA.</li> <li>100% tested.</li> </ul>	<p>The <b>ETS DS3 Breakout Panel (CT900)</b> enables the distribution of DS3 signals in the form of T1 (DS1) channels over Category-5 (or better) cabling. Achieve the same results and save money by using less costly Category-5 UTP rather than the more expensive coaxial cable.</p>	<ul style="list-style-type: none"> <li>ISP and ASP sites</li> <li>Backbone distribution</li> </ul>

Specifications		Product Ordering Information	
Connectors	32 - RJ45 jacks to 64 pin Telco	CT900	DS3 Breakout Panel, 32 port RJ45 jack to 64 pin Telco
Dimensions	44mm x 483mm x 43mm Deep (1 RU)		
Net Weight	0.51 Kg		

© Copyright 1999-2011 Energy Transformation Systems  
 FatCat5 System panels and information outlets protected under US Patent Number 6,123,577. FatCat5™, FatCat5 System™, Chameleon Color Coding System™, Balanced Star™, Balanced Line™, Monoline™ and Precision Wave™, InstaSnake™, CineSnake™ are trademarks of Energy Transformation Systems. All other brand or product names are or may be trademarks of, and are used to identify the products or services of their respective owners.  
 Revised 10/13/2011



**Energy Transformation Systems, Inc.**  
 43353 B Osgood Rd., Fremont, CA 94539  
 www.etslan.com  
 800-752-8208 510-656-2012 Fax 510-656-2026

