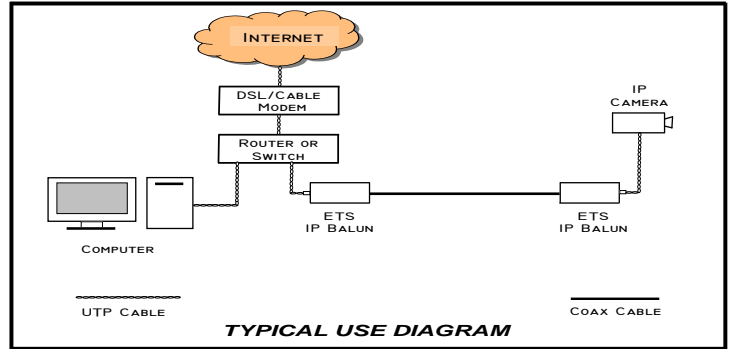


EIP-58 59 62 Series

IP Camera over RG Coax Cable Baluns



Features/Advantages	Description	Applications
<ul style="list-style-type: none"> • Low cost speedy installation using legacy cable • Exceeds 802.3 10BaseT NEXT specification, isolating the receiver from the transmitted signal • Passive unit (no power required) • Run up to 200 meters on coax • Impedance matched • Rugged compact case • Made in USA • 100% tested 	<p>As prices for IP cameras continue to drop and the quality continues to rise, there is an increase in the number of IP camera installations in many types of facilities which already have installed coax. ETS now has a way to utilize the existing coax cable by installing a pair of low cost ETS IP Camera Baluns (EIP-XX Series)...a technology unique to ETS.</p> <p>Using installed coax with ETS IP Camera Baluns can be used as a permanent installation solution or as a stop-gap measure until later upgrades are made. One run of coax cable replaces two pair UTP with improved NEXT (near-end crosstalk) over the 802.3 specification.</p> <p>Most existing installations for CCTV cameras use 75 ohm RG59 coax or similar cable. A variety of configurations are available to meet your specific IP camera connectivity requirements.</p>	<p>Any facility wired with legacy cable can add an IP camera to existing coax installations in:</p> <ul style="list-style-type: none"> • Airports • Banks • Casinos • Hotels • Hospitals • Schools • Parking Lots • Residences • Corporations

Specifications		Product Ordering Information	
Insertion Loss	<0.5 dB	EIP-XX-F-45	Female F Connector to RJ45 jack
Connectors	BNC or F Connector to RJ45 Jack	EIP-XX-FBNC-45	Female BNC to RJ45 jack
Impedance	50Ω to dual 100Ω or 75Ω to dual 100Ω or 93Ω to dual 100Ω	EIP-XX-MBNC-45	Male BNC to RJ45 jack
Crosstalk	> 30 dB	xx = 58, 59, 62 for wiring of 50, 75 or 93Ω coax, respectively All Pin-outs: Standard Ethernet pin-outs (1,2 & 3,6)	
Distance	Up to 650 ft (200 meters) – coax cable		
Dimensions (L x W x H)	56mm x 19mm x 21mm		
Net Weight	0.02 kg (approximate)		

© Copyright 2006-2011 Energy Transformation Systems, Inc.
 FatCat5 System panels and information outlets protected under US Patent Number 6,123,577. FatCat5™, FatCat5 System™, Chameleon Color Coding System™, Balanced Star™, Balanced Line™, Monoline™ and Precision Wave™, InstaSnake™, CineSnake™ are trademarks of Energy Transformation Systems. All other brand or product names are or may be trademarks of, and are used to identify the products or services of their respective owners.

Revised 10/16/11



Energy Transformation Systems, Inc.
 43353 Osgood Rd., Unit B, Fremont, CA 94539
 www.etslan.com

800-752-8208 510-656-2012 Fax 510-656-2026

