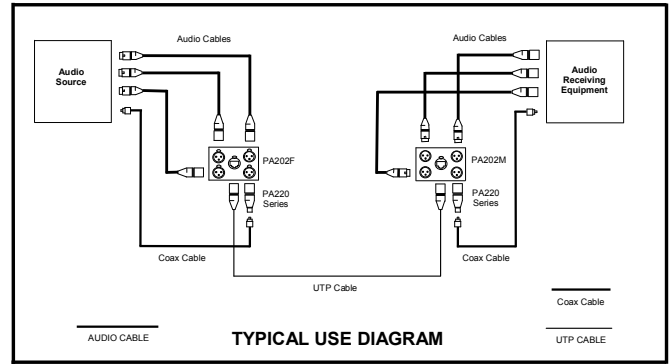



InstaSnake PA220™ Series

Audio Products - Balun



Features/Advantages	Description	Applications
<ul style="list-style-type: none"> • Low cost • Fully audio bandwidth • Eliminate ground loops • All connectors are high quality Neutrik brand • Easily transported • Rugged, 'road-ready' construction • RoHS compliant • USA Made • 100% tested 	<p>The ETS InstaSnake Audio Balun™ is ideal for use with existing InstaSnake Adapter™ boxes. InstaSnake Baluns allow consumer and commercial users of audio equipment to connect to an InstaSnake Adapter box. By plugging InstaSnake Baluns into InstaSnake Adapter boxes, the user can send unbalanced line level analog audio signals.</p> <p>Two InstaSnake Adapter boxes and two InstaSnake Baluns are needed to transmit audio signals. One channel is used for each balun on each InstaSnake box. The same channel must be used on each InstaSnake Adapter box.</p> <p>InstaSnake Baluns are handy for those who have InstaSnake Adapter boxes. All that is needed is to plug InstaSnake Baluns into InstaSnake Adapter boxes wherever a change of a signal application is needed. Changes are very simple and quick. No power is needed as the units are passive.</p> <p>Many balun configurations are available to meet your connectivity requirements: Male or Female BNCs, RCA jacks to Male or Female XLRs.</p> <p>If digital audio is needed use: the ETS PA810 Series, PA880 Series, or PA900 Series...only those parts with XLR connectors can be used.</p>	<ul style="list-style-type: none"> • Live theaters • Recording Studios • TV & Radio Broadcasts • Home studios • Meeting halls • Field recording • Hotels • Schools/Classrooms • Churches • Cruise Ships • Auditoriums/Stadiums

Specifications		Product Ordering Information	
Bandwidth	10 Hz to 20 KHz	PA221F	Analog Audio, FBNC to female XLR
Isolation	500 V	PA221M	Analog Audio, FBNC to male XLR
Connectors	Unbalanced side: FBNC, MBNC or RCA jack Balanced side: FXLR or MXLR	PA222F	Analog Audio MBNC to female XLR
Impedance	600:600	PA222M	Analog Audio MBNC to male XLR
Signal Level	1 V (nominal)	PA223F	Analog Audio, RCA jack to female XLR
Dimensions	78mm x 20mm (FXLR) 74mm x 20mm (MXLR)	PA223M	Analog Audio, RCA jack to male XLR
Weight	58 grams (nominal)	PA224F	Phantom Enabler, FXLR
		PA224M	Phantom Enabler, MXLR

© Copyright 2017 Energy Transformation Systems, Inc.
 FatCat5 System panels and information outlets protected under US Patent Number 6,123,577. FatCat5™, FatCat5 System™, Chameleon Color Coding System™, Balanced Star™, Balanced Line™, Monoline™ and Precision Wave™, InstaSnake™, CineSnake™ are trademarks of Energy Transformation Systems. All other brand or product names are or may be trademarks of, and are used to identify the products or services of their respective owners.



Energy Transformation Systems, Inc.
 43353 B Osgood Rd. Fremont, CA 94539
 800-752-8208 510-656-2012 Fax 510-656-2026