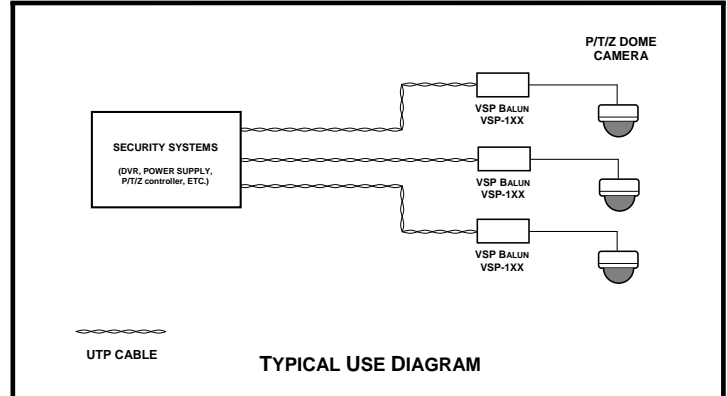


# Video Surveillance *Plus* Series

# Video + Control + Power Balun



Features/Advantages	Description	Applications
<ul style="list-style-type: none"> <li>• Passive transmission device with video, control, and power over a single UTP cable.</li> <li>• Greater stability via wider bandwidth.</li> <li>• Save time and money for CCTV camera installations when using UTP cable.</li> <li>• Sturdy aluminum case.</li> <li>• Made in USA. 100% tested.</li> </ul>	<p>The <b>ETS VSP-1XX Series</b> combines video, control, and power into a single UTP cable which transports video signals.</p> <p>All cable is certified Low-Smoke Zero Halogen (LSZH).</p> <p>The <b>ETS VSP Balun</b> supports RS170, NTSC, PAL, SECAM, and CCIR video formats.</p>	<ul style="list-style-type: none"> <li>• Video surveillance systems.</li> <li>• P/T/Z control signals.</li> <li>• All baseband video applications.</li> </ul>

Specifications		Product Ordering Information	
Bandwidth	Flat to 60 MHz	VSP-107	Video+Control+Power, 7 in. P/T/Z cable with MBNC to 6.00 in. UTP RJ45 plug, pins 1,2 (video), pins 3,6 (control), pins 4,5 & 7,8 (power)
Impedance	75 ohm Unbalanced – BNC connector 100 ohm Balanced – RJ45 connector side	VSP-112	Video+Control+Power, 12 in. P/T/Z cable with MBNC to 6.00 in. UTP RJ45 plug, pins 1,2 (video), pins 3,6 (control), pins 4,5 & 7,8 (power)
Crosstalk	>50dB	VSP-118	Video+Control+Power, 18 in. P/T/Z cable with MBNC to 6.00 in. UTP RJ45 plug, pins 1,2 (video), pins 3,6 (control), pins 4,5 & 7,8 (power)
Connectors	MBNC with 'x' inches P/T/Z cable to 6.00 inch RJ45 plug	VSP-124	Same as above with 24" cord
Media	Category 5 or better	VSP-136	Video+Control+Power, 36 in. P/T/Z cable with MBNC to 6.00 in. UTP RJ45 plug, pins 1,2 (video), pins 3,6 (control), pins 4,5 & 7,8 (power)
Dimensions	26mm x 26mm + cable lengths		
Net Weight	0.1 Kg		

© Copyright 2007-2013 Energy Transformation Systems, Inc.  
 FatCat5 System panels and information outlets protected under US Patent Number 6,123,577. FatCat5™, FatCat5 System™, Chameleon Color Coding System™, Balanced Star™, Balanced Line™, Monoline™ and Precision Wave™, InstaSnake™, CineSnake™ are trademarks of Energy Transformation Systems. All other brand or product names are or may be trademarks of, and are used to identify the products or services of their respective owners.  
 Revised 3/13/2013



**Energy Transformation Systems, Inc.**  
 43353 B Osgood Rd., Fremont, CA 94539  
 www.etslan.com  
 800-752-8208 510-656-2012 Fax 510-656-2026

