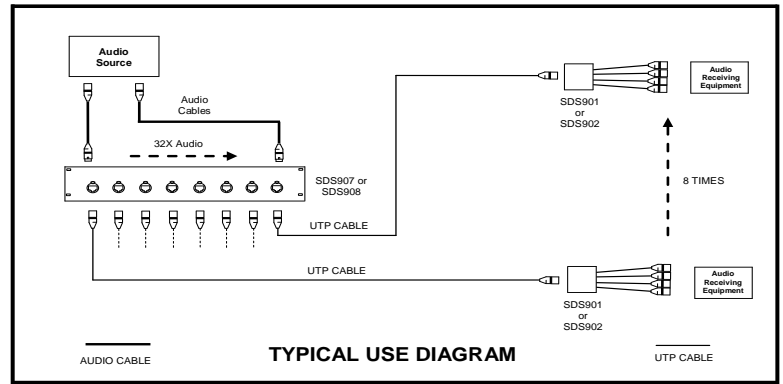


Custom Theater Products

32 Port InstaSnake™ Audio Panel



Features/Advantages	Description	Applications
<ul style="list-style-type: none"> • Transmit audio over UTP cables, reducing weight and cost • 32 channels analog audio or 64 channels digital audio • Utilize existing telecom wiring • Support phantom power when shielded UTP cables are used • ClearCom products compatible • Connectors – all high quality Neutrik™ brand • Easy rack mount, 19" 2 RU and 3 RU spacing • Rugged metal enclosure • USA Made - 100% tested 	<p>ETS offers InstaSnake™ Panels (SDS907 & SDS908) 2-rack high panels which have (8) etherCon RJ45 jacks on the front and (32) XLR connectors on the back. Also available are 3-rack high panels (SDS910 & SDS911) where etherCon RJ45 jacks and XLR connectors are on the front. The SDS916 panel has etherCon RJ45 jacks and FXLR connectors on the front and the MXLR connectors on the back.</p> <p>All of these panels allow you to run audio signals over UTP cables (Cat5e or better data cables). The InstaSnake Panel is a passive unit – you do not need external power. These panels were designed to accept "mic" level or line level analog or digital audio. It supports phantom power when using shielded UTP cables.</p> <p>Designed to the highest professional standards, the InstaSnake panels have a wide flat frequency response, low THD, and, low residual noise. The InstaSnake panels have been factory tested to 1900 feet over Cat5 using balanced line, low impedance, dynamic microphones. Phantom power has been tested to 850 feet over shielded UTP cables.</p> <p>Use SDS901 or SDS902 units to convert signals to and from the UTP cables.</p> <p>The SDS916 model has two connectors connected with each pair of the UTP. This panel is unable to use the digital audio signal. It is for analog audio only.</p> <p>Notes: Neutrik P/N: NE8MC6-MO does not mate with the etherCon RJ45 jack on the InstaSnake panel. All other Neutrik cable carriers fit.</p>	<ul style="list-style-type: none"> • Live Sound • Recording Studios • TV & Radio Broadcasts • Production/Editing • Post-Production Houses • Foley/ADR Studios • Hotel Venues • Convention Centers • Churches • Cruise Ships • Auditoriums/Stadiums • Home Studios • Remote & News Trucks • Field Recording

Specifications	Product Ordering Information
<p>Crosstalk @ 20KHz</p> <ul style="list-style-type: none"> -109dB between Ch x-1 and Ch x-2 -102dB between Ch x-1 and Ch x-3 -106dB between Ch x-1 and Ch x-4 -106dB between Ch x-2 and Ch x-3 -106dB between Ch x-2 and Ch x-4 -109dB between Ch x-3 and Ch x-4 <p>Connectors</p> <p>(32) female or male XLR connectors To (8) etherCon RJ45 jacks Ch x-1, pins 5&4 Ch x-2, pins 1&2 Ch x-3, pins 3&6 Ch x-4, pins 7&8</p>	<p>SDS907 InstaSnake Panel (32) MXLR to (8) etherCon RJ45 jacks, 2RU</p> <p>SDS908 InstaSnake Panel (32) FXLR to (8) etherCon RJ45 jacks, 2RU</p> <p>SDS910 InstaSnake Panel (32) FXLR to (8) etherCon RJ45 jacks, 3RU</p> <p>SDS911 InstaSnake Panel (32) MXLR to (8) etherCon RJ45 jacks, 3RU</p> <p>SDS916 InstaSnake Panel (32) FXLR; MXLR to (8) etherCon RJ45 jacks, 3RU</p> <p>Media & Distance: Cat5e or better UTP – 1900 ft, FTP or STP – 850 ft Phantom power only</p> <p>Dimensions: 2RU x 121mm deep (SDS907 and SDS908); 3RU x 65mm deep (SDS910, SDS911); 3RU x 121mm (SDS916)</p> <p>Weight: 0.62KG (2RU)</p>

© Copyright 2016 - 2019 Energy Transformation Systems, Inc.

FatCat5 System panels and information outlets protected under US Patent Number 6,123,577. FatCat5™, FatCat5 System™, Chameleon Color Coding System™, Balanced Star™, Balanced Line™, Monoline™ and Precision Wave™, InstaSnake™, CineSnake™ are trademarks of Energy Transformation Systems. All other brand or product names are or may be trademarks of, and are used to identify the products or services of their respective owners.

Revised: 10/21/19



Energy Transformation Systems, Inc.

43353 B Osgood Rd. Fremont, CA 94539

800-752-8208 510-656-2012 Fax 510-656-2026