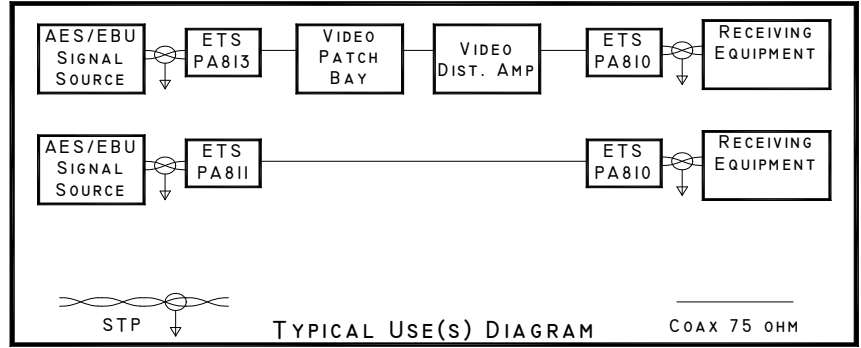


PA810 Series

Digital Audio Baluns & Balun Panels



Features/Advantages	Description	Applications
<ul style="list-style-type: none"> Converts AES/EBU digital audio between balanced 110Ω XLR and unbalanced 75Ω BNC Separate baluns, or rack-mountable panel versions Panel mount has monitor port for each channel Available in isolated versions* to route signals via video patch bays and eliminate ground loops 10 dB pad available to attenuate signals to 1 V_{P-P} for compatibility with VDA and router equipment All-metal case and chassis Made in USA 100% tested 	<p>ETS, long a leader in baluns for computer networks, applies our expertise in Balanced Line™ technology to the XLR to BNC Digital Audio Baluns (DAB) and DAB Panels. The PA810 Series of baluns and balun panels from ETS is designed to connect AES/EBU signals from XLR output equipment into standard 75Ω coax cabling systems. These baluns perform precise impedance-matching and signal balancing, enabling AES/EBU signals to be transmitted with greater signal integrity and longer runs over coaxial cable than can be achieved with STP wiring. Isolated versions are available for VDA and router applications.</p> <p>Other members of this family are the PA818-X Digital Audio Panels which incorporates all of the functionality of ETS baluns in a convenient, 8-channel, single-rack height unit. Isolated outputs and monitor ports for each channel are standard.</p> <p>The PA819 “Re-Balancer” balances signals into a true balanced-line performance.</p>	<ul style="list-style-type: none"> Broadcast Control Rooms Recording Studios Post-Production Facilities Satellite TV Facilities Television Studios

*NOTE: Versions of PA810, PA811 and PA813 available with isolation and with BNC male as custom order products.

Specifications		Product Ordering Information	
Bandwidth	20 kHz to 60 MHz (1 dB)	PA810	AES/EBU Balun, FBNC to MXLR
Connectors	XLR to BNC	PA811	AES/EBU Balun, FBNC to FXLR
Insertion Loss	< 0.15 dB	PA812	AES/EBU Balun, FBNC to MXLR, 10dB [atten 1V _{p-p}]
Max Signal	5V _{P-P}	PA813	AES/EBU Balun, FBNC to FXLR, 10dB [atten 1V _{p-p}]
Impedance Match	75 Ω to 110Ω	PA818-F	AES/EBU Panel, (8) FXLR to FBNC, PAD to 1 V _{P-P}
Comm Mode Reject.	> 40 dB up to 40 MHz	PA818-H	AES/EBU Panel, (8): (4) as -F, (4) as -M
Distance	Up to 2500 ft - 75 ohm coax cable	PA818-FN	AES/EBU Panel, (8) FXLR to FBNC, No PAD
Dimensions	Panels: 1 RU x 37mm deep Baluns 20.3mm dia. x 89mm long	PA818-HN	AES/EBU Panel, (8): (4) as -FN, (4) as -M
Net Weight	Panel: 0.91 kg; Balun: 0.03 kg	PA818-M	AES/EBU Panel, (8) MXLR to FBNC
		PA819	AES/EBU Rebalanced, MXLR to FXLR * All PA818 panels have isolated outputs standard

© Copyright 2001-2011 Energy Transformation Systems FatCat5 System panels and information outlets protected under US Patent Number 6,123,577. FatCat5™, FatCat5 System™, Chameleon Color Coding System™, Balanced Line™, Monoline™ and Precision Wave™, InstaSnake™, CineSnake™ are trademarks of Energy Transformation Systems. All other brand or product names are or may be trademarks of, and are used to identify the products or services of their respective owners.

Revised 10/13/2011



Energy Transformation Systems, Inc.
 43353 B Osgood Road, Fremont, CA 94539
 www.etslan.com
 800-752-8208 510-656-2012 Fax 510-656-2026

