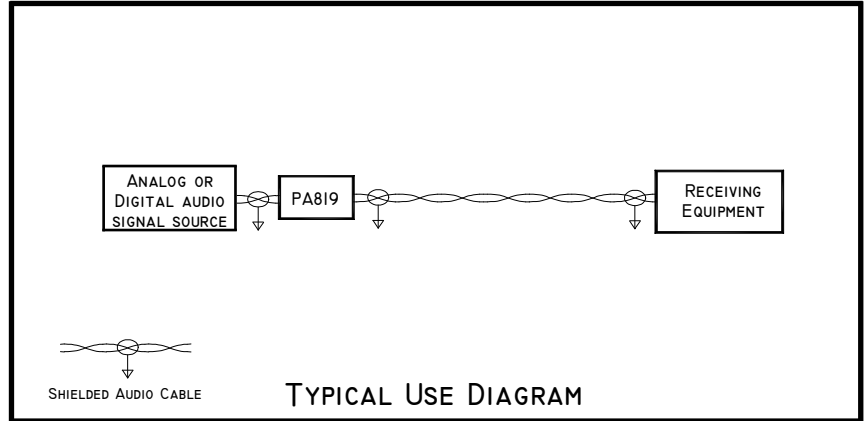


PA819

Analog or Digital Audio Rebalancer



Features/Advantages	Description	Applications
<ul style="list-style-type: none"> • Improves poorly balanced circuits • Passive unit • Rugged all-metal case • Made in USA • 100% tested 	<p>ETS, long a leader in baluns for computer networks, applies our expertise in Balanced Line technology to the Analog/Digital Audio Rebalancer™ (PA819).</p> <p>If you have trouble with hum, buzz or a higher than normal noise floor, this could be due to twisted pairs which are unbalanced or even "slightly" unbalanced. Plug in a Rebalancer (PA819) and many of these problems disappear.</p> <p>A badly balanced input signal emerges from the other side as a dramatically improved balanced signal, improved common mode rejection, lower noise and lower EMI/RFI.</p> <p>Many classic old devices (limiters, compressors etc.) have poorly balanced inputs or outputs. A Rebalancer solves most noise problems.</p> <p>The Rebalancer passes digital audio signals. Although digital devices are much less prone to noise problems, usually not heard, it messes up the clock recovery and conversion of the digital signal back to analog.</p> <p>The Rebalancer (PA819) balances signals into a true balanced-line performance. It provides a flat response and will pass phantom power.</p>	<ul style="list-style-type: none"> • Broadcast Control Rooms • Field Operations • On the road concerts • Mobile Trucks • Recording Studios • Post-Production Facilities • Satellite TV Facilities • Television Studios

Specifications		Product Ordering Information	
Bandwidth	Flat to 25 MHz	PA819	Analog or Digital Audio Rebalancer, MXLR to FXLR
Connectors	MXLR to FXLR Either is input or output		
Dimensions	20 mm dia x 75 mm long		
Net Weight	0.054 Kg		

© Copyright 2014 Energy Transformation Systems FatCat5 System panels and information outlets protected under US Patent Number 6,123,577. FatCat5™, FatCat5 System™, Chameleon Color Coding System™, Balanced Star™, Monoline™ and Precision Wave™, InstaSnake™, CineSnake™ are trademarks of Energy Transformation Systems. All other brand or product names are or may be trademarks of, and are used to identify the products or services of their respective owners.

10/01/2014



Energy Transformation Systems, Inc.
 43353 B Osgood Road, Fremont, CA 94539
 www.etslan.com
 800-752-8208 510-656-2012 Fax 510-656-2026